

TG510, TG511, TG512 Versaguard™ Universal Thermostat Guards

Application

The TG510, TG511 and TG512 Versaguard™ Universal Thermostat Guards cover and protect wall thermostats against tampering, damage and unauthorized adjustment of thermostat settings. The guards come in three sizes—small, medium and large—to fit virtually all thermostats. See Table 2. They are ideal for office areas, lobbies, supermarkets, restaurants, clinics, hospitals, convenience stores and similar applications. The guards can be used in both new and existing thermostat applications.

The TG510, TG511 and TG512 include clear plastic, opaque plastic or painted steel (off white) guard cover (see Table 1), opaque plastic wallplate, opaque or clear plastic ring base, wallplate template, screws, and tumbler lock with two keys. Provision for Honeywell logo (included) or OEM logo on guard cover.

TABLE 1—THERMOSTAT GUARD SPECIFICATIONS.

Thermostat Guard	Guard Cover Material	Ring Base Material
TG510A	Clear plastic	Clear plastic
TG510B	Opaque plastic	Opaque plastic
TG510D	Painted steel (off white)	Opaque plastic
TG511A	Clear plastic	Clear plastic
TG511B	Opaque plastic	Opaque plastic
TG511D	Painted steel (off white)	Opaque plastic
TG512A	Clear plastic	Clear plastic
TG512B	Opaque plastic	Opaque plastic
TG512D	Painted steel (off white)	Opaque plastic

TABLE 2—THERMOSTAT GUARD APPLICATIONS.

Thermostat	Versaguard™ Universal Thermostat Guards		
	TG510	TG511	TG512
HONEYWELL			
T87/Q539	● ^a		
T451		●	
T498		●	
T631		●	
T641		●	
T651		●	

(Continued)

TABLE 2—THERMOSTAT GUARD APPLICATIONS.
(Continued)

Thermostat	Versaguard™ Universal Thermostat Guards		
	TG510	TG511	TG512
HONEYWELL			
T694		●	
T810		●	
T822		● ^b	
T834		● ^b	
T841		●	
T874/Q674		● ^a	
T4039		●	
T6051A		●	
T6052		●	
T7047		●	
T8034		●	
T42			●
T92			●
T921			●
T6051B			●
T7200			●
T7300/Q7300			●
T7400			●
T8082/Q682			●
T8085/Q682			●
T8090/Q682			●
T8195/Q682			●
T8600			●
T8601			●
T8602			●
T8603			●
T8611			●
T8621			●
T8624			●
T8631			●
W884			●
ITT GENERAL			
T199	●		
T80		●	
T90		●	
T91		●	
T330 SERIES		●	
T340 SERIES		●	

^a Use TG512 with thermostat that has dealer logo wallplate.

^b Turn TG511 90 degrees to fit thermostat with dealer logo wallplate.

(Continued)

TABLE 2—THERMOSTAT GUARD APPLICATIONS.
(Continued)

Thermostat	Versaguard™ Universal Thermostat Guards		
	TG510	TG511	TG512
ENERSTAT			
DSP100—DSP700		●	
ET52			●
HC-7			●
HP-1			●
K3-WN			●
K4-W			●
MS-1N			●
HP-2			●
ROBERTSHAW			
TX400	●		
500 SERIES		●	
300-610			●
300-620			●
300-630			●
300-642			●
WHITE RODGERS			
1C-30		●	
1C-31		●	
1C-70		●	
1D-30		●	
1D-35		●	
1D-36		●	
1E-30		●	
1E-31		●	
1E-35		●	
1E-36		●	
1E-56		●	
1F-30		●	
1F-56		●	
1F-57		●	
1F-58		●	
1F-60			●
1F-62			●
1F-70			●
1F-72			●
1F-75			●
1F-76			●
1F-90			●
1F-91			●
1F-92			●
1F-93			●
1F-94			●
1F-95			●
1F-97			●
AMERICAN STABILIS			
R-90		●	
R100		●	
R105		●	
R106		●	

(Continued)

TABLE 2—THERMOSTAT GUARD APPLICATIONS.
(Continued)

Thermostat	Versaguard™ Universal Thermostat Guards		
	TG510	TG511	TG512
AMERICAN STABILIS			
HP-1			●
HP-10			●
HP15/20/22			●
HP150/200/220			●
HP1000			●
HP1500/2000/3000			●
HP2001			●
SIMPLESTAT			●
COLUMBUS ELECTRIC			
RSH-420A		●	
RSV-420		●	
HPC SERIES			●
SECO			
TA-2000		●	
TM-1000		●	
TM-1400		●	

Installation

WHEN INSTALLING THIS PRODUCT...

1. Read these instructions carefully. Failure to follow them could damage the product.
2. Check the dimensions given in the instructions and on the product to make sure the product is suitable for your application.

APPLICATIONS

The Versaguard Universal Thermostat Guard may be used in new or existing thermostat applications.

In existing thermostat applications, the guard may be installed without removing the thermostat from the wall. In these applications, the thermostat guard is used without the solid wallplate (ring base only and cover used).

In new thermostat applications, the guard may be used with or without the solid wallplate. The wallplate is typically used to cover mounting marks from the old thermostat. The thermostat guards may also be mounted on an exposed junction box.

Refer to the appropriate section following, depending on application, for mounting the thermostat guard.

TO MOUNT THERMOSTAT GUARD WITHOUT WALLPLATE (Fig. 1)

1. Place the ring base over the thermostat (and wallplate or subbase) on wall. Align the ring base with the thermostat and level approximately. Mark the four mounting holes.

2. Mount the ring base on the wall using four no. 6 sheet metal screws or four anchors and screws (provided). See Fig. 1.

3. Mount the guard cover by placing the hinged edge of the guard cover on the ring base and swinging down (horizontal mounting) or to the side (vertical mounting) until the guard cover is in place against the ring base. See Fig. 2.

4. Lock the thermostat guard by turning the key (provided) counterclockwise. See Fig. 3. The key can be removed in the locked position only.

5. Remove the paper backing and clear protective cover from the monogram included. Place the monogram in the recessed area on the guard cover. See Fig. 4.

TO MOUNT THERMOSTAT GUARD WITH WALLPLATE

Disconnect power supply to prevent electrical shock or equipment damage. The thermostat guard may be mounted on the wall or an exposed junction box.

Fig. 1—Mount ring base only in existing thermostat applications.

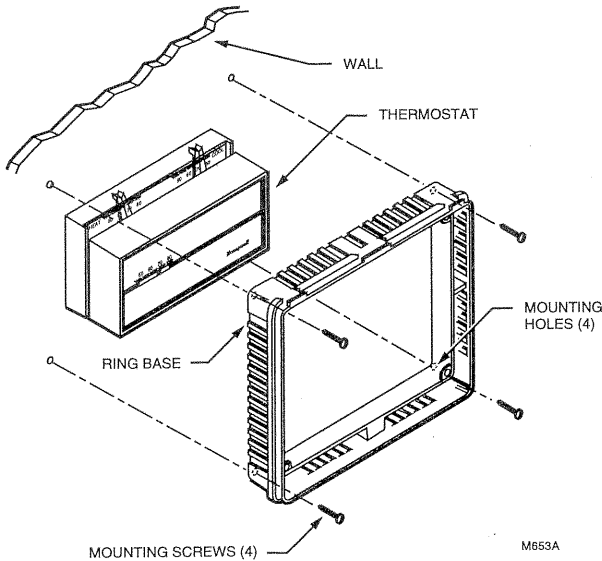


Fig. 2—Mount guard cover.

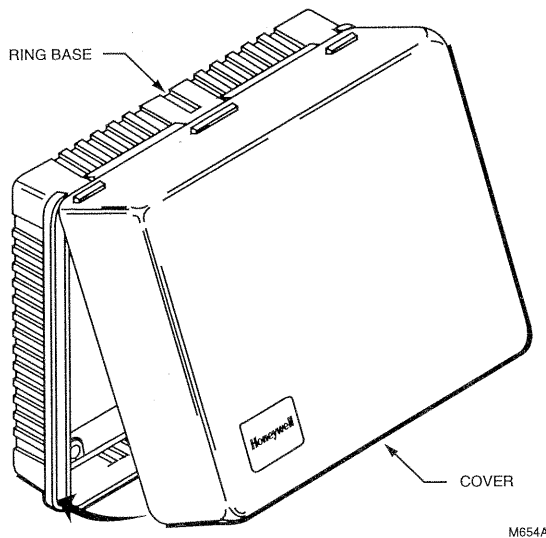


Fig. 3—Lock thermostat guard.

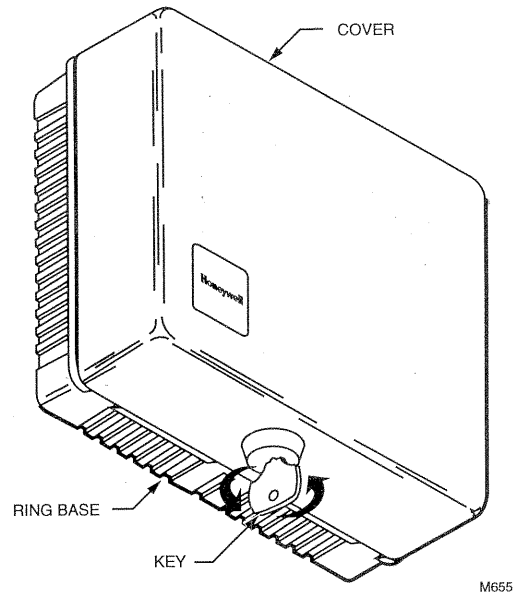
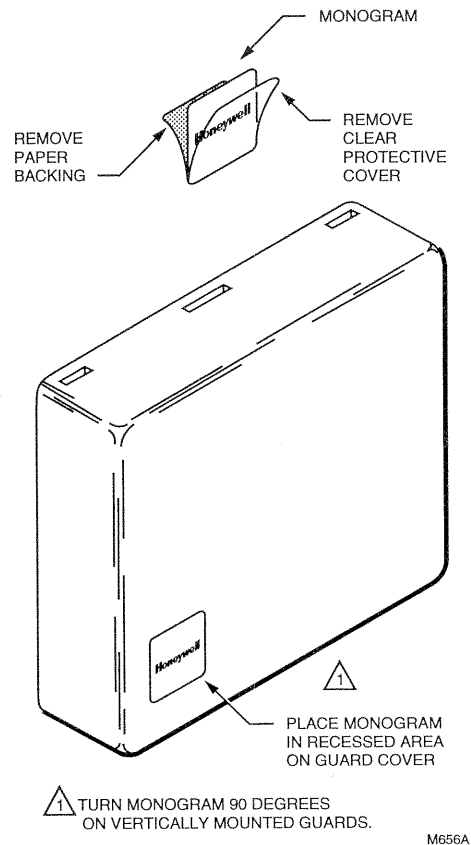


Fig. 4—Apply monogram to thermostat guard.



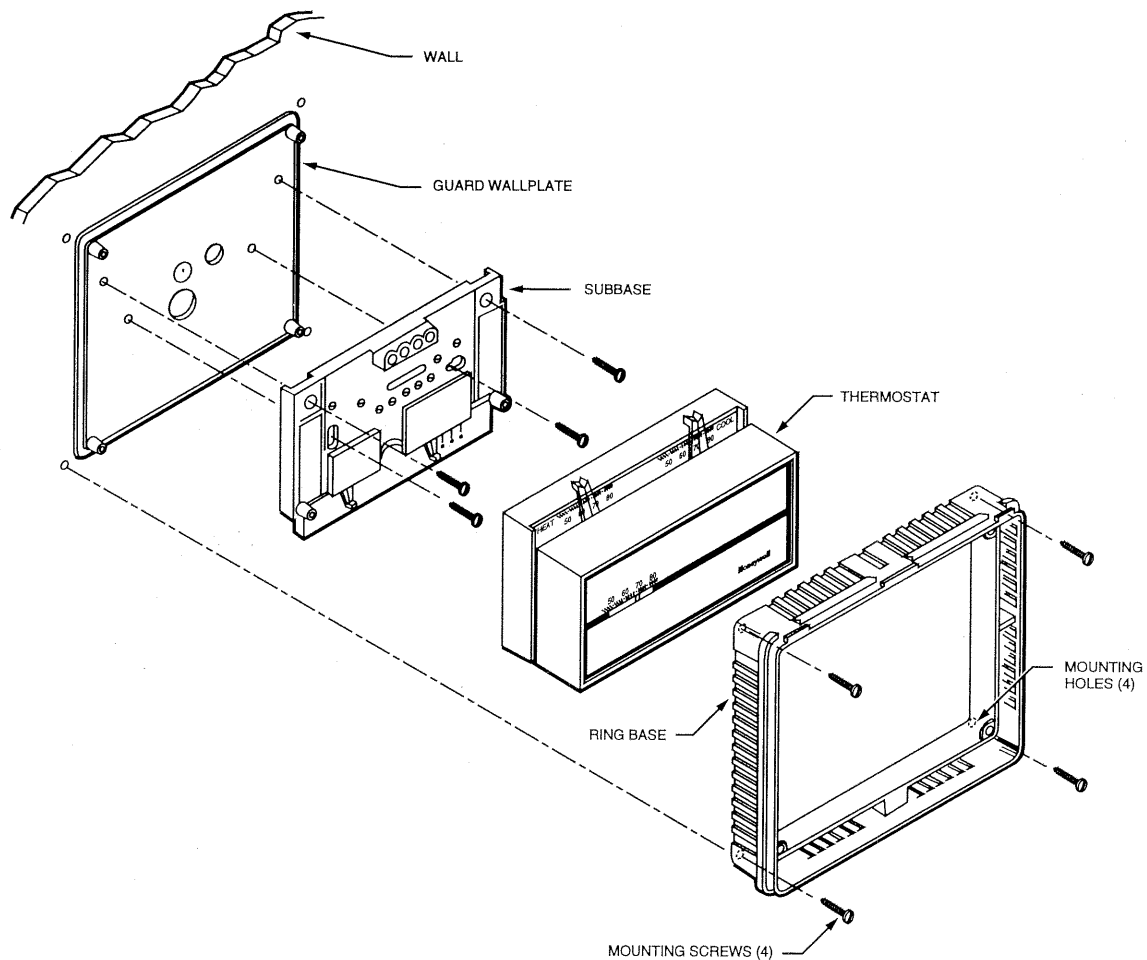
WALL MOUNTING

Front-wired Subbase (Fig. 5)

1. Place the thermostat subbase (or wallplate) on the wallplate template and mark the mounting holes. Using the template as a guide, locate the mounting holes on the guard wallplate. Drill the required 5/32 in. mounting holes in the guard wallplate.

2. If the mounting hole pattern on the guard wallplate does not match the pattern on the thermostat subbase or wallplate, drill additional mounting holes in the guard wallplate. Using the thermostat subbase (wallplate) as a guide, locate and mark the mounting holes on the guard wallplate. Drill the required 5/32 in. mounting holes in the guard wallplate.

Fig. 5—Mount guard wallplate and ring base on thermostat with front-wired subbase.



M657A

3. Mount the thermostat subbase (wallplate) and the guard wallplate to the wall using the 1-1/4 in. sheet metal screws provided with the thermostat. Place the guard wallplate between the thermostat subbase (wallplate) and the wall. See Fig. 5.

4. Wire the thermostat subbase (wallplate). Refer to the instructions provided with the thermostat.

5. Mount the thermostat on the subbase (wallplate). Place the thermostat cover on the thermostat.

6. Mount the guard ring base over the thermostat, subbase (wallplate) and guard wallplate. Attach the ring base using four no. 6 sheet metal screws or four anchors and screws (provided).

7. Mount the guard cover by placing the hinged edge of the guard cover on the ring base and swinging down (horizontal mounting) or to the side (vertical mounting) until the guard cover is in place against ring base. See Fig. 2.

8. Lock the thermostat guard by turning the key (provided) counterclockwise. See Fig. 3. The key can be removed in the locked position only.

9. Remove the paper backing and clear protective cover from the monogram included. Place the monogram in the recessed area on the guard cover. See Fig. 4.

Back-wired Thermostat (Fig. 6)

1. Place the thermostat on the wallplate template and mark the mounting holes. Using the template as a guide,

locate the mounting holes on the guard wallplate. Drill the required 5/32 in. mounting holes in the guard wallplate.

2. If the mounting hole pattern on the guard wallplate does not match the pattern on the thermostat, drill additional mounting holes in the guard wallplate. Using the thermostat as a guide, locate and mark the mounting holes on the guard wallplate. Drill the required 5/32 in. mounting holes in the guard wallplate.

3. With the smooth side of the guard wallplate facing the thermostat, run system wires through the wiring hole in the guard wallplate. Place the guard wallplate between the thermostat and the wall. See Fig. 6.

4. Back-wire the thermostat. Refer to the wiring instructions provided with the thermostat.

5. Mount the thermostat and the guard wallplate to the wall using the 1-1/4 in. sheet metal screws provided with the thermostat. Make sure the guard wallplate is between the thermostat and the wall.

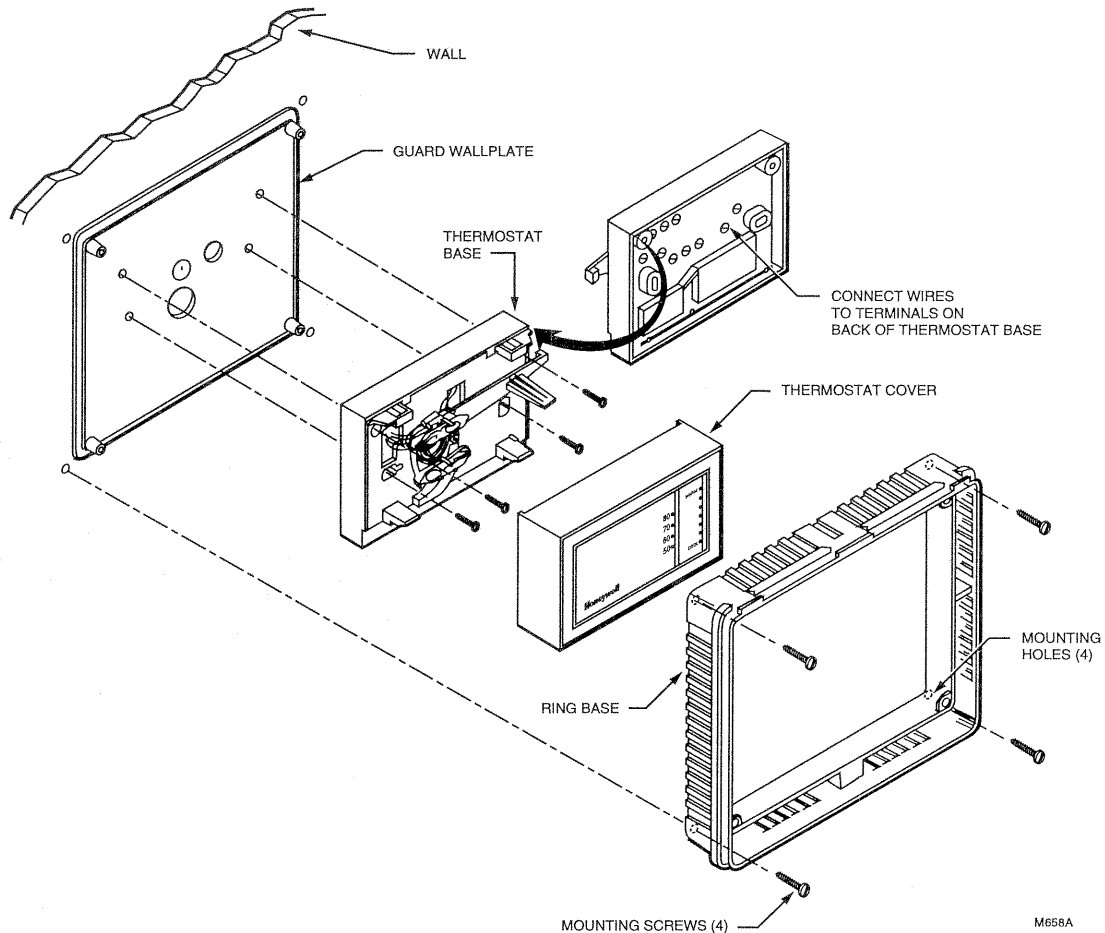
6. Place the thermostat cover on the thermostat.

7. Mount the guard ring base over the thermostat and guard wallplate. Attach the ring base using four 1-1/4 in. sheet metal screws or four anchors and screws (provided).

8. To mount the guard cover, place the hinged edge of the guard cover on the ring base and swing down (horizontal mounting) or to the side (vertical mounting) until guard cover is in place against ring base. See Fig. 2.

9. Lock thermostat guard by turning the key (provided) counterclockwise. See Fig. 3. The key can be removed in the locked position only.

Fig. 6—Mount guard wallplate and ring base on back-wired thermostat.



10. Remove the paper backing and clear protective cover from the monogram included. Place the monogram in the recessed area on the guard cover. See Fig. 4.

Junction Box Mounting (Fig. 7)

1. Place the thermostat subbase (or wallplate) on the wallplate template and mark the mounting holes. Using the template as a guide, locate the mounting holes on the guard wallplate. Drill the required 5/32 in. mounting holes in the guard wallplate.

2. Secure the guard wallplate to the ring base using the screws provided. Place the guard wallplate (with smooth side facing the ring base) on the back of the ring base.

3. Insert the securing screws through the holes on the front of the ring base and into the posts on the wallplate. See Fig. 7. Tighten the screws securely.

4. If using a front-wired subbase (wallplate), run system wires from the junction box through the wiring hole in the guard wallplate and subbase (wallplate) cable opening. If using a back-wired subbase (wallplate), run system wires from the junction box through the wiring hole in the guard wallplate only. Wire the back-wired subbase at this time. Refer to the wiring instructions provided with the thermostat.

5. Mount the thermostat subbase (wallplate) and the ring base with the guard wallplate to the junction box using the

1-1/4 in. sheet metal screws provided with the thermostat.

6. Wire the front-wired subbase (wallplate) at this time. Refer to the wiring instructions provided with the thermostat.

7. Mount the thermostat on subbase (wallplate). Place the thermostat cover on the thermostat.

8. Mount the guard cover by placing the hinged edge of the guard cover on the ring base and swinging down (horizontal mounting) or to the side (vertical mounting) until the guard cover is in place against the ring base. See Fig. 2.

9. Lock the thermostat guard by turning the key (provided) counterclockwise. See Fig. 3. The key can be removed in the locked position only.

10. Remove the paper backing and clear protective cover from the monogram included. Place the monogram in the recessed area on the guard cover. See Fig. 4.

REMOVE THERMOSTAT GUARD

Remove the thermostat guard cover by inserting the key provided and turn the key clockwise until the locking mechanism is disengaged. See Fig. 8.

Remove the guard cover by swinging outward away from the ring base and lifting off.

Fig. 7—Mount guard wallplate with ring base and thermostat on junction box (front-wired thermostat/subbase shown).

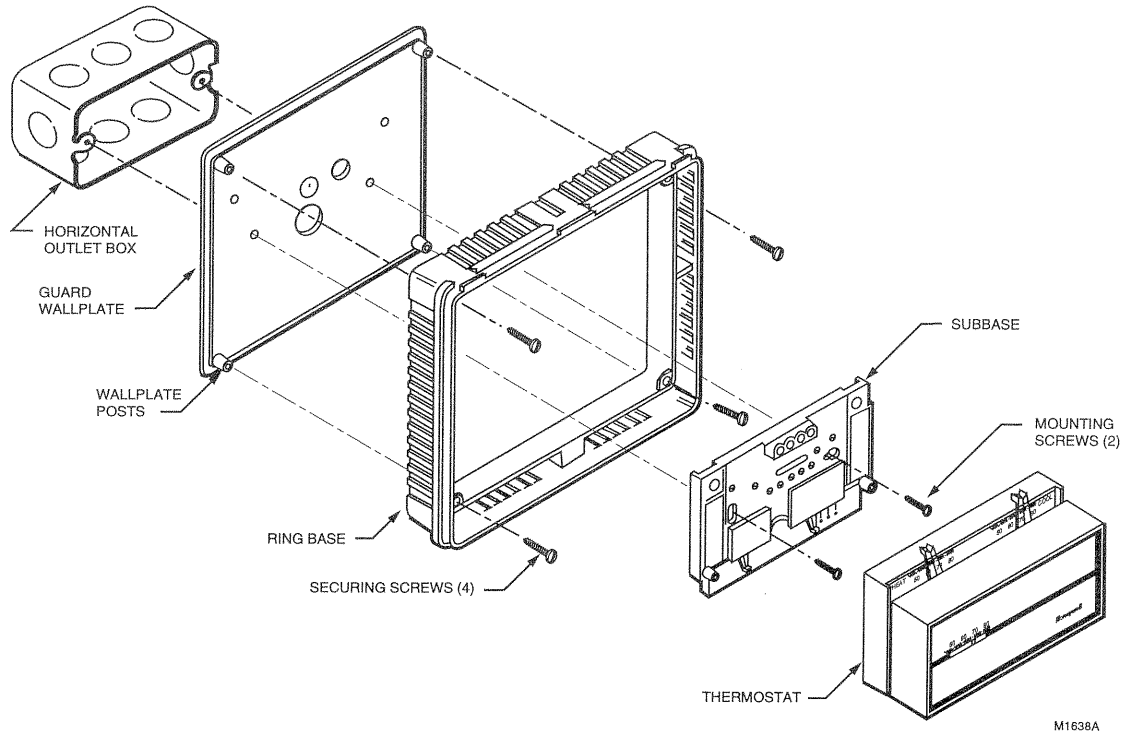
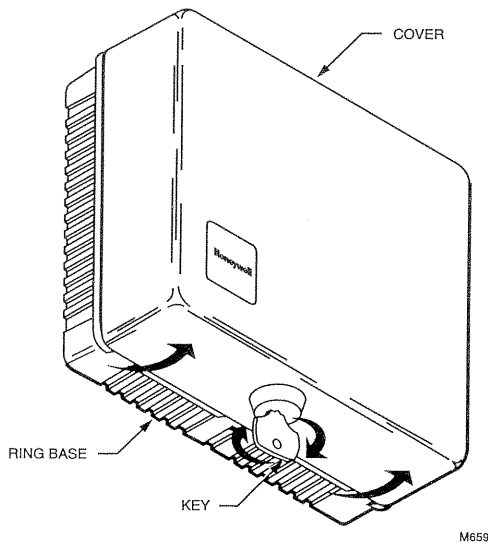


Fig. 8—Remove thermostat guard cover.



Checkout

Before leaving the installation, refer to the applicable instructions to check the operation of the thermostat or subbase.

Honeywell

Helping You Control Your World

Home and Building Control
 Honeywell Inc.
 1985 Douglas Drive North
 Golden Valley, MN 55422

Home and Building Control
 Honeywell Limited—Honeywell Limitée
 740 Ellesmere Road
 Scarborough, Ontario
 M1P 2V9



QUALITY IS KEY